



SPECIFICATION

Recessed Paper Towel Dispenser with concealed body for pocket mounting behind mirrors shall hold 800 standard multi-fold or 600 standard C-fold paper towels. Entire unit shall be fabricated of alloy 18-8 stainless steel, type 304, 22 gauge and exposed surfaces shall have No 4 satin finish and be protected during shipment with a PVC film easily removable after installation. Cabinet shall have two push-up flaps to permit filling paper towels from bottom. Cabinet shall have no exposed fastening devices or spot-welded seams.

INSTALLATION

Mount unit as directed by architect using No 10 self tapping screws (by others) through holes in mounting tabs provided. For mounting height standards refer to current Building Code of Australia for able bodied and/or disabled use.


OPERATION

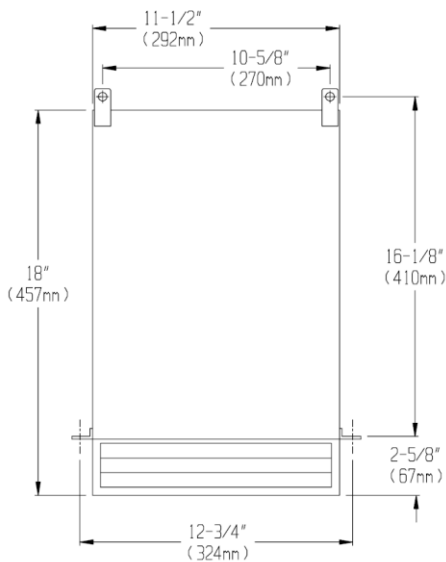
Towels are self-feeding until supply is depleted. Towels are refilled from the bottom via two push-up flaps.

WARRANTY

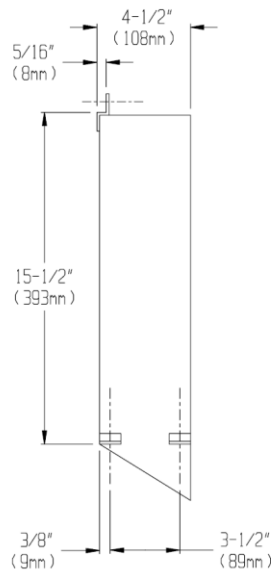
One year.

Recessed Paper Towel Dispenser shall be Model No. 10-0439 as supplied by ASI JD MacDonald.

 All ASI JD MacDonald disabled compliant products when installed must be in accordance with AS1428 to ensure the specified product is complying with all washroom specification requirements.



VIEW



SIDE VIEW