

DESCRIPTION

Stainless Steel Toilet Grabrail for General Use and for Ambulant Use.
Manufactured to Comply with AS1428.1-2009

SPECIFICATION

| | |
|----------------|---|
| Material | Stainless Steel 304 grade |
| Tube Diameter | 32mm |
| Wall Thickness | 1.2mm |
| Finish | Satin Stainless |
| Mounting | Stainless Steel 76mmØ concealed flange Multiple fixing holes |

FINISHES

Satin finish
Powder coated finish (to order)

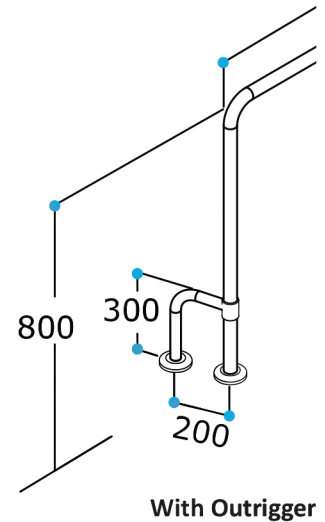
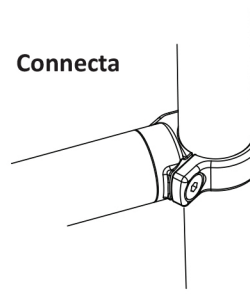
FASTENERS (supplied with each grabrail)

Stainless Steel 304 Grade
#10 X 50mm Pan Head Philips Drive Screws

RECOMMENDATIONS

Factory fitted toilet roll holder

Designed for the safety, security and convenience of those with a physical disability. Easy to install on most building surfaces.



Standard Grabrail Bend with TIG Welded Fixing Flange

