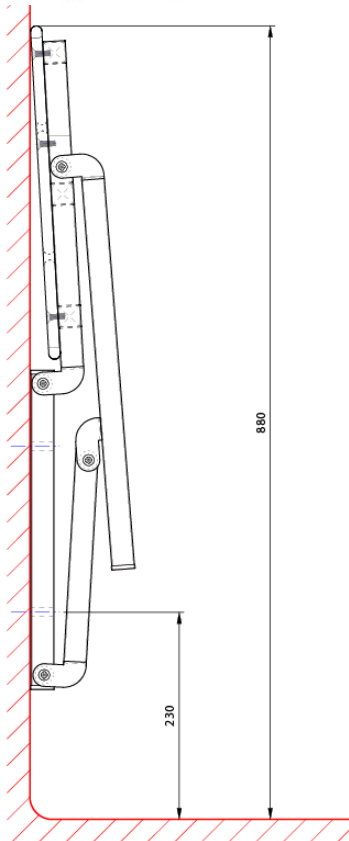




5 ISOMETRIC  
SCALE = 1:5



#### FEATURES

Folding Acrylic Shower Seat with white acrylic deck and satin stainless steel legs. Deck size: 960mm x 370mm with 4 slots for drainage 250mm long x 6.5mm wide. Complies with Australian Disability Standards 1428.1. The SS960BR has been certified to take up to 300kg.


#### INSTALLATION

Unit shall satisfy Australian Standards 1428.1-2009 whereby a foldable self-draining, slip resistant seat with rounded edges shall be provided inside the shower recess. The materials and construction of the seat shall be able to withstand a force of 1100 N applied at any position and in any direction without failing or showing any visible signs of deformation or loosening of fastenings.

#### WARRANTY

One year.

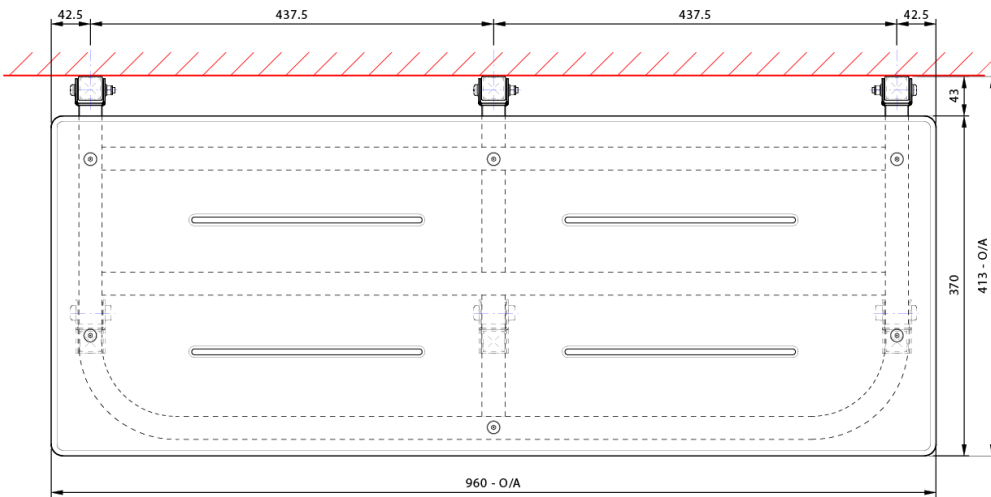
**Folding Acrylic Shower Seat** shall be Model No. SS960BR as supplied by ASI JD MacDonald.

 All ASI JD MacDonald accessible compliant products when installed must be in accordance with AS1428 to ensure the specified product is complying with all washroom specification requirements.

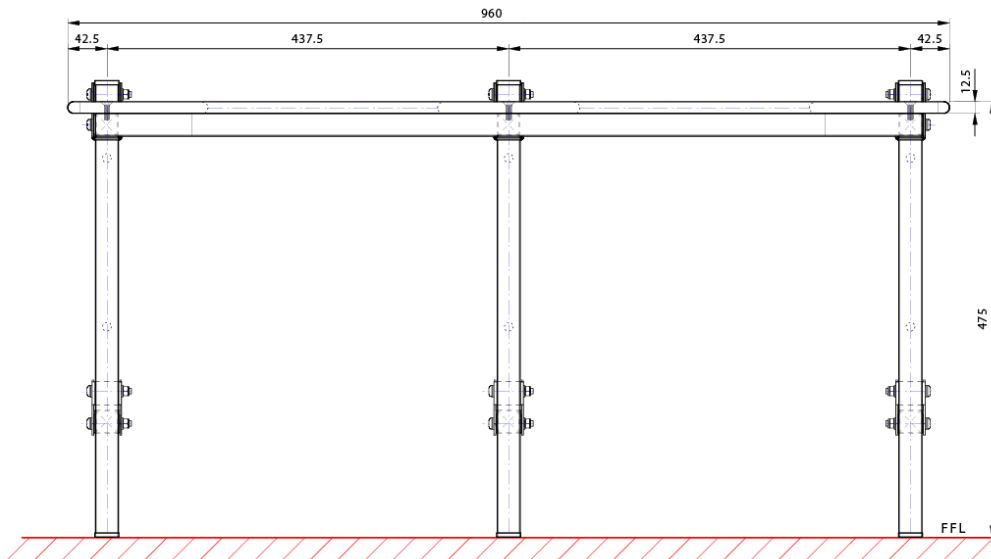
\* Seat protrudes 92mm from wall when in the closed position

**Acrylic Bariatric Folding 960x370mm  
Shower Seat  
Model No. SS960BR**

Plan View A



Elevation



End Elevation

