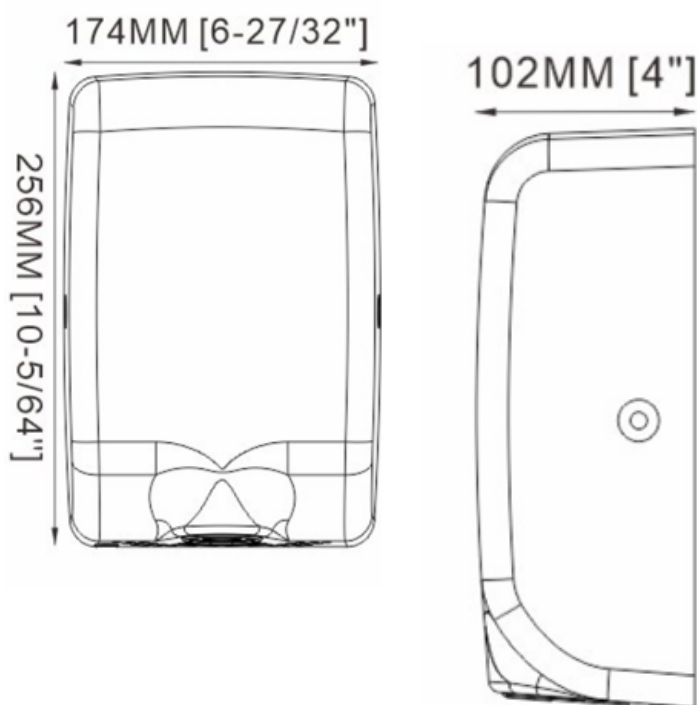


# Vortex VX1031



## TECHNICAL DATA VX1031

Motor Type:	Brush Contacts Motor, 32,000 RPM, 600 W [ 0.80 HP ]
Voltage	220 V ~ 240 V 50/60 Hz, 4.3 A, 1000 W
Air Temperature:	40°C [ 104 °F ] (Room Temp.=25°C [ 77°F ])
Air Velocity:	115 M/S [ 377 FT/S ] / 414 KM/H [ 257 MPH ]
Air Flow:	97 M <sup>3</sup> /H [ 31.7 CFM ]
Drying Time:	10 to 12 Seconds
Sensor Range:	5 - 15 CM
Protection Level:	IP23
Electrical Isolation:	CLASS I
Noise Level [ at 1 M ]:	74 dB
Material:	High Impact PA6 + Stainless Steel 304
Unit Shipping Weight / Net Weight:	2.7 KG [ 6.0 LB ] / 2.5 KG [ 5.5 LB ]